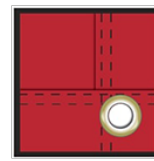


Date: _____
 Company: _____
 Address: _____
 City: _____
 State: _____ Zip: _____
 Phone: _____
 Fax: _____ # of Units: _____
 Email: _____



KAPLAN TARPS

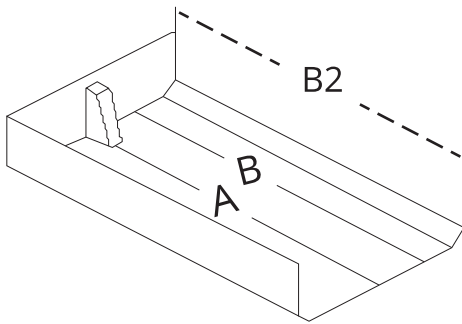
40 Hockanum Blvd. Unit 8
 Vernon, CT 06066

(860) 643-1384

860-432-9791

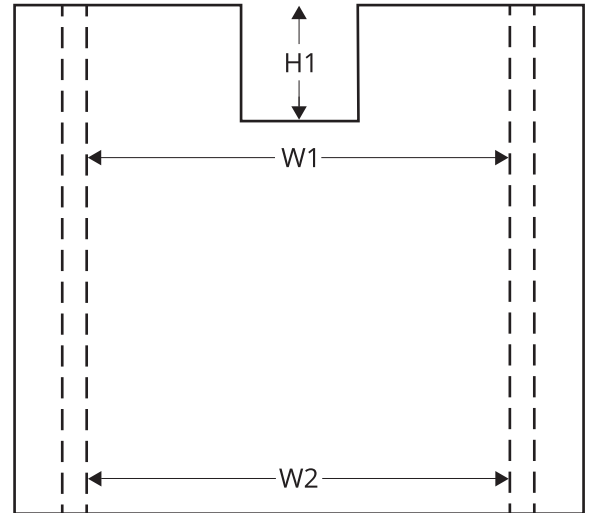
sales@kaplantarps.com

www.kaplantarps.com

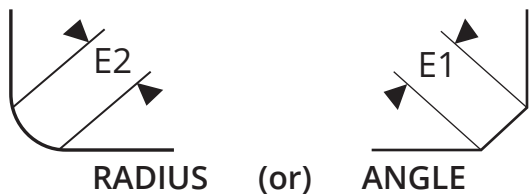


A: _____ B: _____

B2: _____ (slope front) height at 2ft.



Corner: Radius or Angle Dimension



E2= _____ E1= _____

Flat Width (between cleanouts)
W1 (Front)
W2 (Rear)
Hoist Pedestal (dog-box-cut-out dimensions)
H1

Liner Material:

- QuickSilver Truck Liners
- Durapro
- THE HAULK
- Black HMW
- White HMW

Thickness:

- 1/2"
- 3/8"
- 1/4"

Width:

- 8 ft
- 10 ft
- 12 ft
- 13 ft
- 14 ft
- 15 ft
- 16 ft

Asphalt Hauling:

- Yes No

Rear hold down plate

- Yes No

Heat Shield

- Yes No

Installation Type:

- Installed (by us)
- Kit Only
- Aluminum Body
- Steel Body

Bulkhead & Hoist: <input type="checkbox"/> Yes <input type="checkbox"/> No	Height: <input type="checkbox"/> 2' <input type="checkbox"/> 4'	Thickness: <input type="checkbox"/> 1/4" <input type="checkbox"/> 3/8" <input type="checkbox"/> 1/2"
Sidewall Kit: <input type="checkbox"/> Yes <input type="checkbox"/> No	Height: _____	Thickness: <input type="checkbox"/> 1/4" <input type="checkbox"/> 3/8" <input type="checkbox"/> 1/2"
Tailgate Kit: <input type="checkbox"/> Yes <input type="checkbox"/> No	Height: _____	

Quote for material: \$ _____ + Freight and Install Rate: \$ _____ = Quote/Unit: \$ _____

This quote is good for _____ days from the above date. Number of units _____ = Total Quote \$ _____